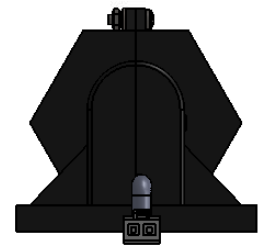
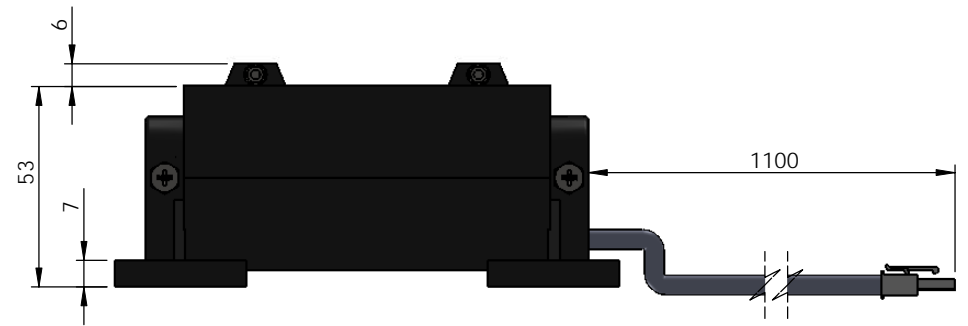
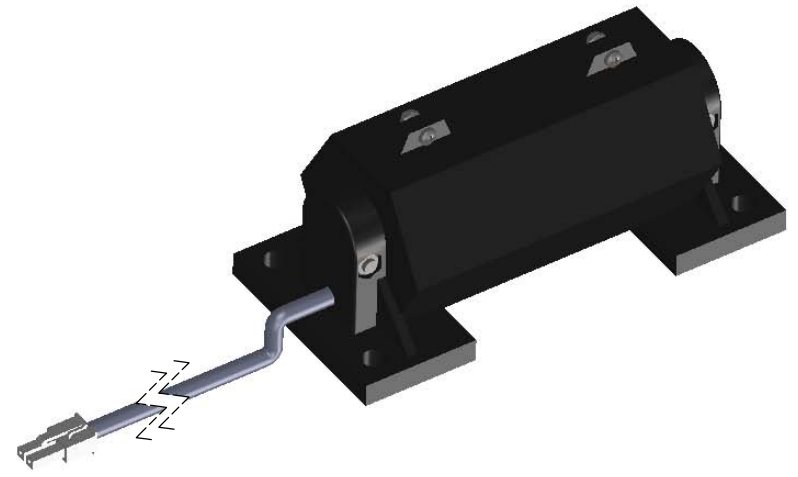
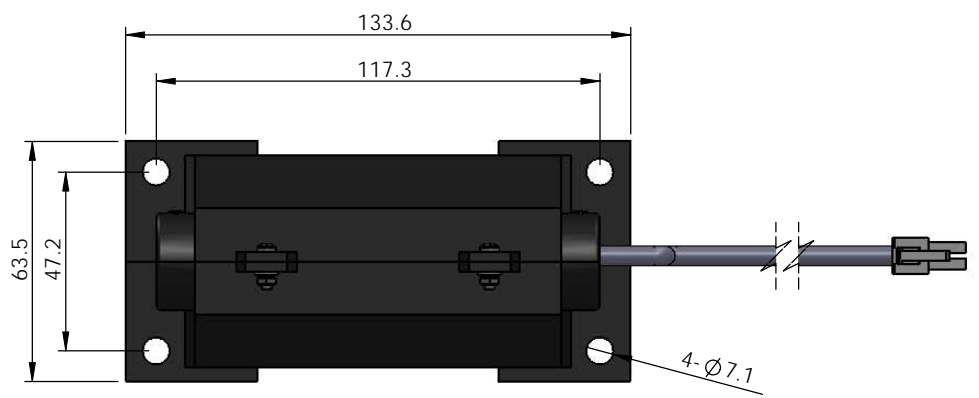


UNLESS OTHERWISE SPECIFIED
DIMENSIONS ARE IN INCHES

SURFACE FINISH:
REMOVED ALL BURRS
AND SHARP EDGES
SURFACE ROUGHNESS

25 ✓



- Motor specifications:
1. Rotated voltage: 24VDC;
 2. Rotation direction: CCW viewed from shaft end;
 3. Voltage range: DC 18V-30V;
 4. No-load current: 0.35A;
 5. No-load speed: 2150RPM±10%.

CONFIDENTIAL AND PROPRIETARY						PART NO.		500-6211-01					
THIS IS THE PROPERTY OF ADACEL. IT MUST NOT BE TRADED OR REPRODUCED IN ANY MANNER. NOR SHALL IT BE SUBMITTED TO OUTSIDE PARTIES FOR EXAMINATION WITHOUT OUR CONSENT. IT SHALL BE USED AS A MEANS OF REFERENCE TO DO WORK DESIGNED OR FURNISHED BY US.						PART NAME		DC MESSAGE MOTOR					
						WEIGHT		9		REV.			
						QUANTITY		1		SHEET		1 OF 1	
						SCALE		1:10				UNLESS OTHERWISE SPECIFIED TOLERANCES ARE: LINEAR 0-2 ±0.2 2-5 ±0.5 5-12 ±0.75 ANGULAR ±12 ±1	
MATERIAL													
DESIGN	Q. A.		Adacel Technologies Ltd.		DATE								
CHECK	APPV'D				DATE								